

PRODUCES QUALITY
تنتج الجودة

يانا **YANA**



الفخامة تتحدث
luxury Speaks

YANA
Series Features



DOWNLOAD
E-CATALOGUE



علامة الجودة
SASO
QUALITY MARK




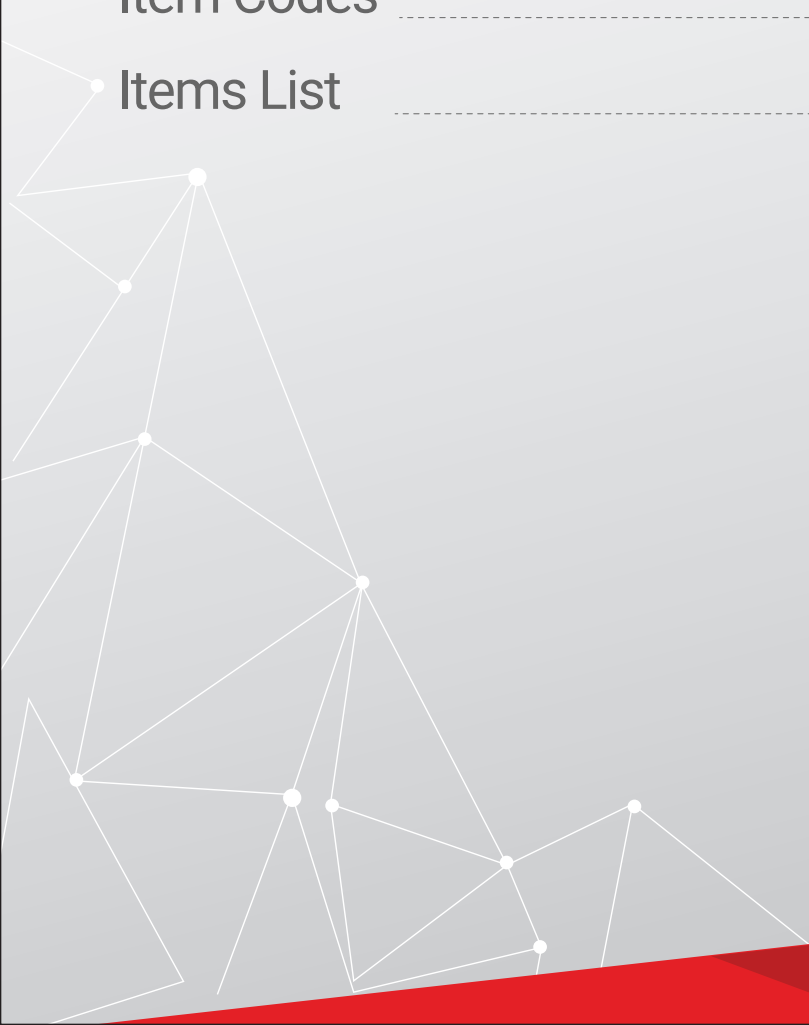
www.bahra-electric.com





Content Index

Socket features	04
Switches features	07
USB Socket features	09
Technical features	10
Item Codes	15
Items List	20



Modern simplicity



Where **luxury**
meets **innovation**





Timeless
elegance



Socket features

Enhanced User Safety:

Our sockets are engineered with a shutter function, ensuring top-notch safety for every user.

Sleek Design:

A slim profile seamlessly integrates into any environment, offering both style and functionality.

Superior Conductivity:

Equipped with a high-quality brass earth strap, our sockets deliver excellent grounding for reliable performance.



Efficient Energy Flow:

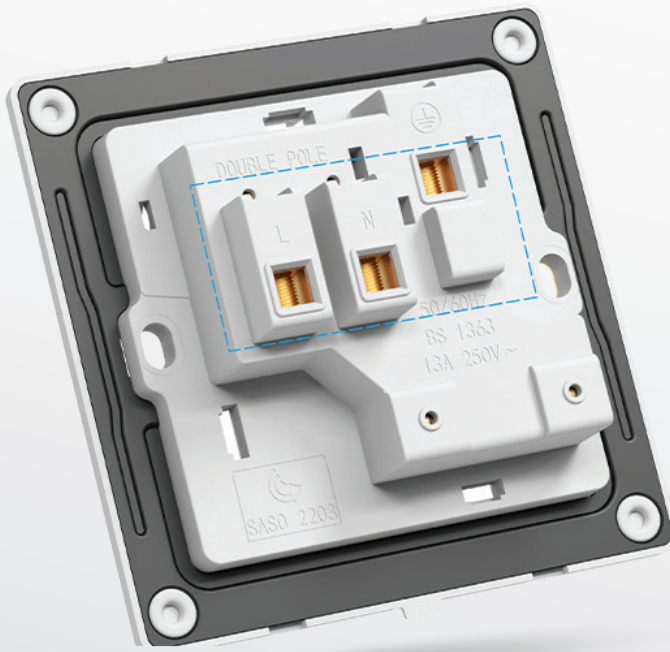
Brass terminals ensure optimal electrical conductivity, enhancing the overall efficiency of your electrical systems.

Advanced Protection:

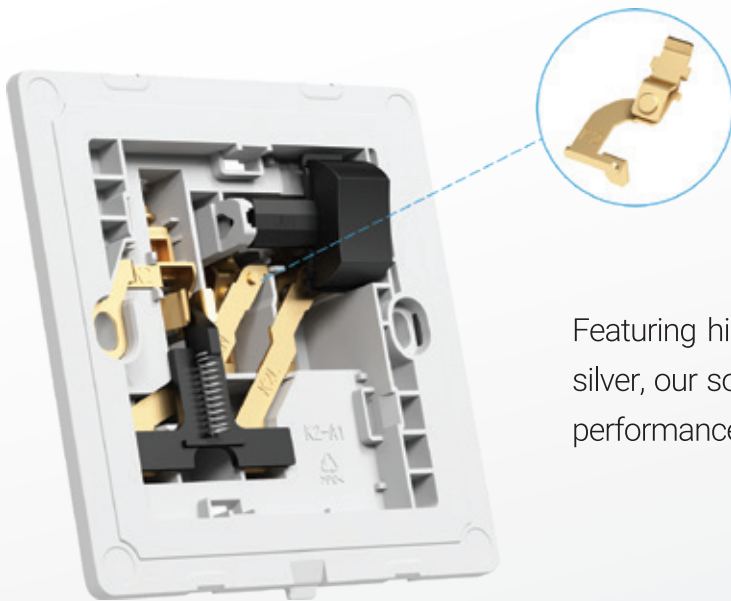
Designed to protect against live parts, even without the front plate, for added peace of mind.

Socket features

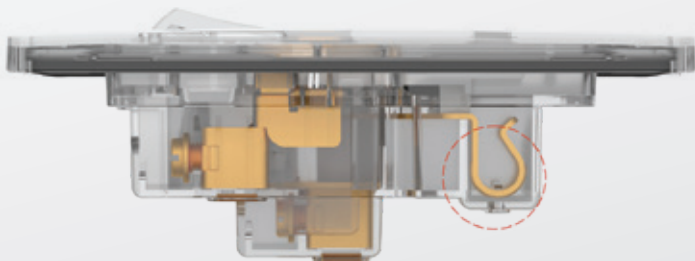
Our terminals are aligned in a straight line, ensuring easy wiring and enhanced accessibility. This design significantly reduces installation time, making the wiring process more efficient and hassle-free.



Socket features

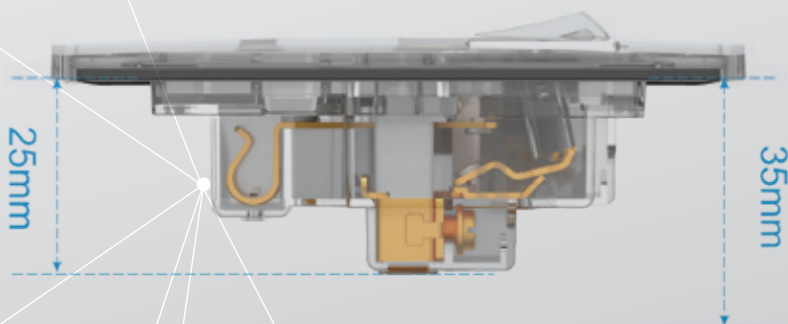


Featuring high-quality brass contacts paired with bimetallic silver, our sockets deliver exceptional durability and efficient performance, ensuring long-lasting, reliable functionality.



Reliable Contact Force with Phosphor Bronze:

Our use of phosphor bronze contacts ensures enduring spring stiffness, providing consistent and efficient contact force between joints for reliable and long-lasting performance.



Plenty of wiring space offers more room to connect multiple wires in socket junction box

Switches features

Elegance and Efficiency Combined:

Graceful Design:

The slim profile and full body rockers offer a sleek and sophisticated appearance.

Superior Conductivity:

Brass terminals ensure optimal electrical conductivity for reliable performance.

Quick and Easy Installation:

Wide terminals simplify the installation process, saving you time.

Enhanced Safety:

Our switches are designed with no exposed metal parts on the front face, ensuring safety even without the front plate.



Switches features

Experience effortless control with our wide rockers in high-rated switches, designed for smooth, easy operation.

Both 20A & 45A switches have built-in indicators provide clear, visual confirmation, ensuring you always know the status at a glance.



USB Socket features

Our USB socket features a fast charging outlet with a range of 5V to 12V and a maximum power of 20W. It includes both Type-C and Type-A USB ports for versatile and rapid charging of all your devices.



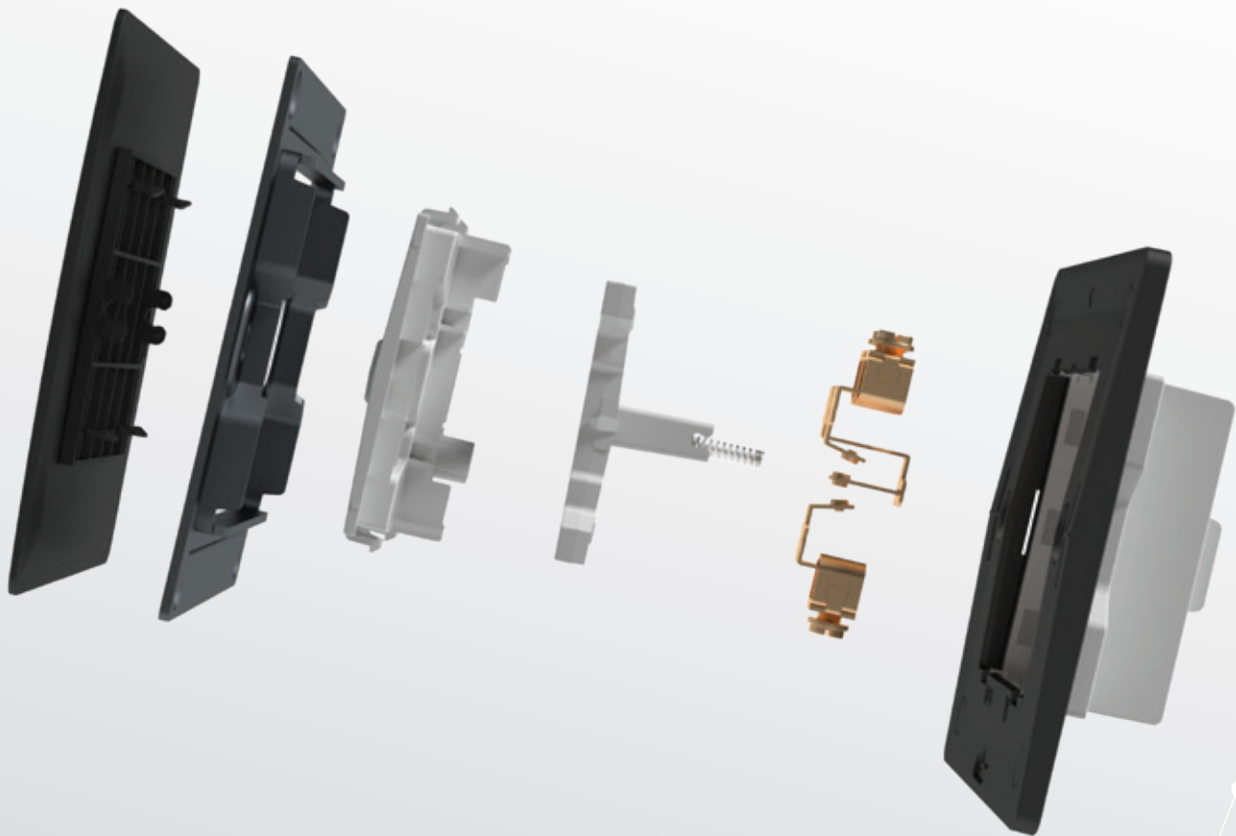
Technical features

- 5mm & Ultra thin design
- Distinctive with a contemporary and visually appealing design.



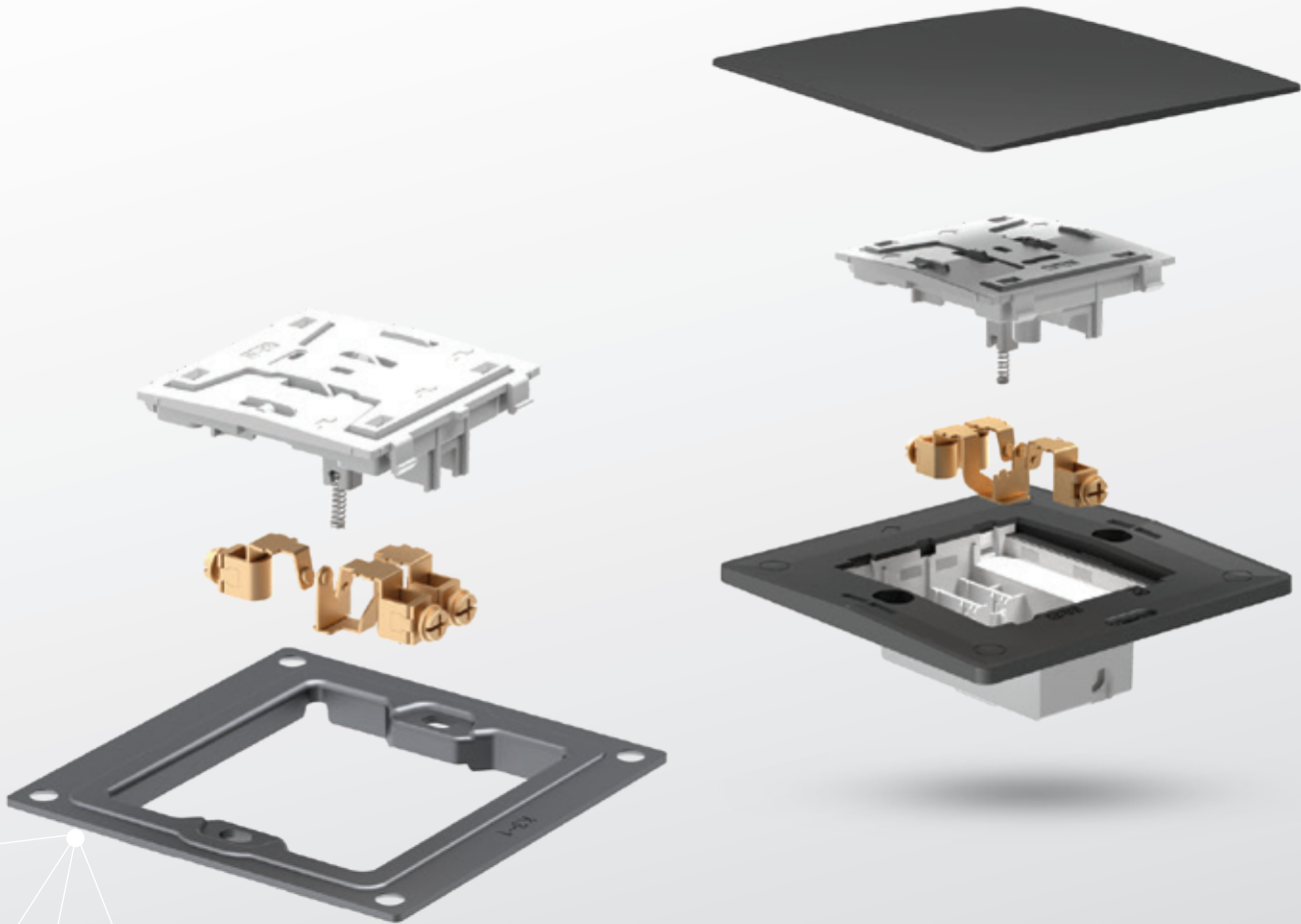
Technical features

- Featuring a sandwich structure frame with powder coated steel, fire-resistant PC cover and a premium brass switch our product ensures robust durability and safety.



Technical features

- Patented Innovation: Ultra-thin switches with advanced 1-level transmission for a consistent, precise touch.
- Enhanced Performance: Stable structure and pleasant sound quality surpass traditional designs.
- Superior Durability: High-quality construction ensures long-lasting reliability and exceptional performance.



Extended Lifespan:

Mechanical switch with a vertical structure supports up to 100,000 cycles.

Exceptional Durability:

This is 5 times the lifespan of conventional IEC standard switches.

Superior Reliability:

Designed to outperform standard switches, ensuring long-term performance.

Technical features

Low Temperature Rise:

Product temperature increase is well below the IEC standard of 45K.

Enhanced Safety:

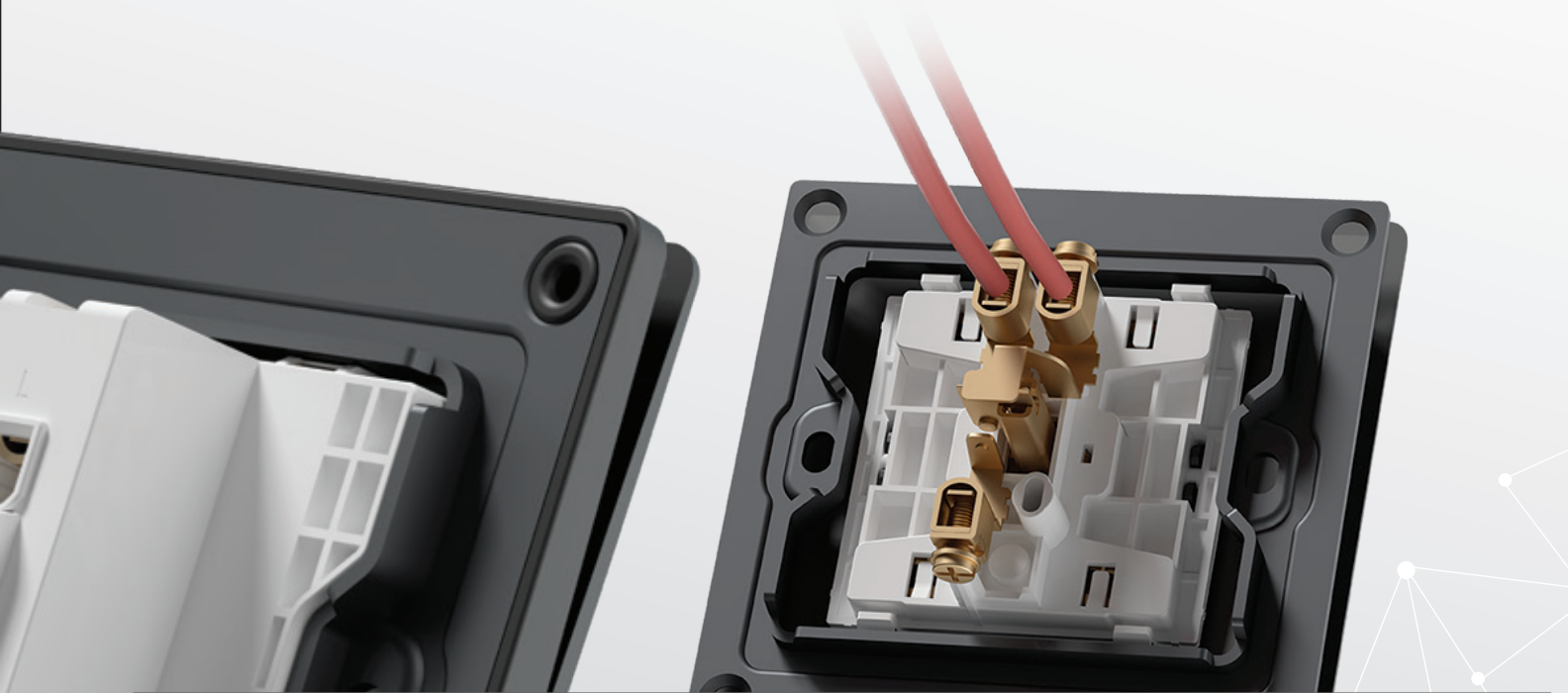
Switch remains at low temperature under high current or extended use, reducing fire and hazard risks.

Durable Design:

High-quality materials and design ensure stability and reliability in high-temperature environments extending product lifespan.

Convenient Installation:

Innovative fastener structure simplifies wiring for ease of use.



Shape Integrity:

Plastic base plate and steel frame sandwich structure offers excellent rigidity to the product which ensures avoid deformation during installation.

Increased Safety:

Enhances overall safety by maintaining structural stability.

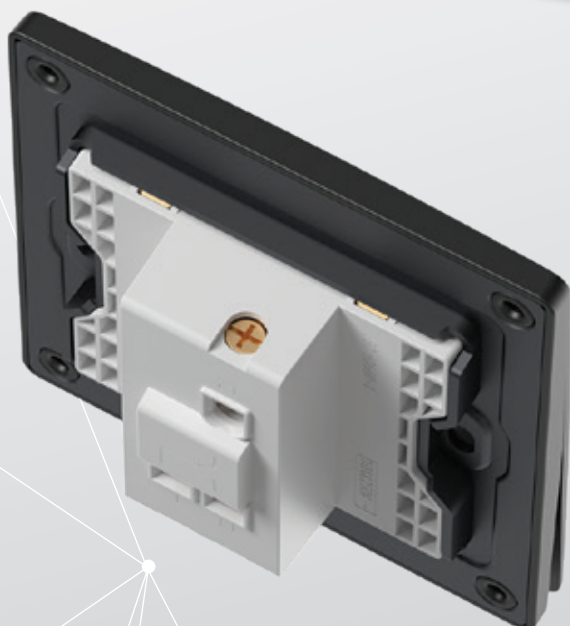
Technical features

Integrated Structure:

Combined base and middle plate with honeycomb support enhances product quality.

Flame Retardant Panel:

Made from high performance, flame-retardant material for enhanced safety.



Flexible Wiring:

Flat head M4*7.5 cross screws offer greater ease and adaptability in product wiring.



ITEM **CODES**



Switch Item Code Explanations

BWD. Y T 10101 .MB

BWD Bahra Wiring Devices	Y Yana	T Switch	10,20,45 Ampere	1,2,3,4 Number of Gang	01,02,03 Number of Way	0B, 0C BELL or Curtain	MB, GW Matt Black Glossy White
---------------------------------------	------------------	--------------------	---------------------------	-------------------------------------	-------------------------------------	-------------------------------------	---

Socket Item Code Explanations

BWD.Y K 1310T .MB

BWD Bahra Wiring Devices	Y Yana	K Socket	13,45 Ampere	1,2 Number of Gang	OT: Outlet Socket. SS: Switched Socket. SN: Socket with Neon. US: USB. TL: Telephone CT: CAT6. ST: Satellite. CO: Cable Outlet	MB, GW Matt Black Glossy White
---------------------------------------	------------------	--------------------	------------------------	---------------------------------	---	---

Blank Plate Item Code Explanations

BWD.Y N 001 BP .MB

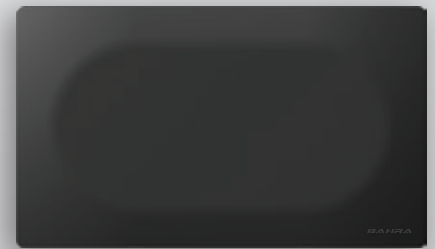
BWD Bahra Wiring Devices	Y Yana	N Blank Plate	001,002 Number of Gang	BP Blank Plate	MB, GW Matt Black Glossy White
---------------------------------------	------------------	-------------------------	-------------------------------------	--------------------------	---

YANA Blank Plates

7X7 / 7X14 YANA



YN001BP
1GANG BLANK PLATE



YN002BP
2GANG BLANK PLATE

YANA Electrical Sockets 13 A (Complies to IEC 60884, SASO 2203 and BS1363-2)

7X7 / 7X14 YANA Socket



YK131US
13A 1GANG DP
SWITCHED SOCKET
DP+ 2 USB 2.1A



YK131SN
13A 1GANG DP SWITCHED
SOCKET OUTLET WITH NEON



YK131SS
13A 1GANG DP SWITCHED
SOCKET OUTLET



YK1310T
13A 1GANG SOCKET
OUTLET



YK451CO
45A 1GANG CABLE OUTLET



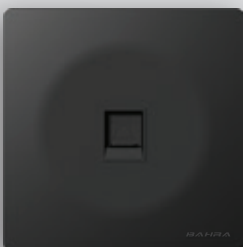
YK132SN
13A 2GANG DP
SWITCHED SOCKET
OUTLET WITH NEON



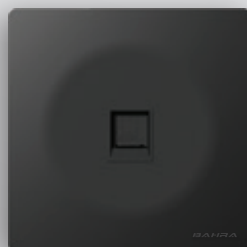
YK132SS
13A 2GANG DP SWITCHED
SOCKET OUTLET

YANA Communication Sockets

7X7 YANA Socket



YK001TL
1GANG RJ11 4 WIRE AMERICAN
TYPE TELEPHONE SOCKET



YK001CT
1GANG RJ45 SOCKET CAT6



YK001ST
1GANG SAT SOCKET 45DEG

YANA Switches 10 A (Complies to SASO-GSO-IEC-60669-1)

7X7 YANA Switch



YT10202
10AX 2GANG
2WAY, SWITCH



YT10201
10AX 2GANG
1WAY, SWITCH



YT10102
10AX 1GANG
2WAY, SWITCH



YT10101
10AX 1GANG
1WAY, SWITCH



YT10402
10AX 4GANG
2WAY, SWITCH



YT10401
10AX 4GANG
1WAY, SWITCH



YT10302
10AX 3GANG
2WAY, SWITCH



YT10301
10AX 3GANG
1WAY, SWITCH



YT1020C
10A CURTAIN SWITCH



YT1010B
10A 1G BELL SWITCH



YT10103
10A 1GANG 2W
INTERMEDIATE SWITCH

YANA Switches 20 / 45 A (Complies to SASO-GSO-IEC-60669-1)

7X7 YANA Switch



YT45101
45A 1GANG DP SWITCH
WITH NEON



YT20101
20A 1GANG DP SWITCH
WITH NEON



Available in
WHITE COLOR



Experience the essence
of **true luxury**



YANA Items List

S.No	Item Code	Description in English	Small Carton /pcs	Big Carton /pcs	Pallet / pcs
1	YT10101.**	YANA SWITCH 10A 1GANG 1WAY 7X7 FULL BODY	10	100	1200
2	YT10102.**	YANA SWITCH 10A 1GANG 2WAY 7X7 FULL BODY	10	100	1200
3	YT10201.**	YANA SWITCH 10A 2GANG 1WAY 7X7 FULL BODY	10	100	1200
4	YT10202.**	YANA SWITCH 10A 2GANG 2WAY 7X7 FULL BODY	10	100	1200
5	YT10301.**	YANA SWITCH 10A 3GANG 1WAY 7X7 FULL BODY	10	100	1200
6	YT10302.**	YANA SWITCH 10A 3GANG 2WAY 7X7 FULL BODY	10	100	350
7	YT10401.**	YANA SWITCH 10A 4GANG 1WAY 7X7 FULL BODY	10	100	1200
8	YT10402.**	YANA SWITCH 10A 4GANG 2WAY 7X7 FULL BODY	10	100	350
9	YT1010B.**	YANA BELL SWITCH 10A 1G 7X7 FULL BODY	10	100	1200
10	YT20101.**	YANA DP SWITCH 20A 1GANG WITH NEON 7X7 FULL BODY	10	100	1200
11	YT45101.**	YANA DP SWITCH 45A 1GANG WITH NEON 7X7 FULL BODY	10	100	1200
12	YK1310T.**	YANA SOCKET OUTLET 13A 1GANG 7X7	10	100	1200
13	YK131SS.**	YANA SOCKET OUTLET 13A 1GANG DP SWITCHED 7X7	10	100	1200
14	YK131SN.**	YANA SOCKET OUTLET 13A 1GANG DP SWITCHED WITH NEON 7X7	10	100	1200
15	YK132SS.**	YANA SOCKET OUTLET 13A 2GANG DP SWITCHED 7X14	6	60	720
16	YK132SN.**	YANA SOCKET OUTLET 13A 2GANG DP SWITCHED WITH NEON 7X14	6	60	400
17	YK001TL.**	YANA TELEPHONE SOCKET 1GANG RJ11 4 WIRE AMERICN TYPE 7X7	10	100	1200
18	YK001CT.**	YANA CAT6e SOCKET 1GANG RJ45 7X7	10	100	1200
19	YK001ST.**	YANA SAT SOCKET 1GANG 45deg 7X7	10	100	1200
20	YN001BP.**	YANA BLANK PLATE 1GANG 7X7	20	200	2400
21	YN002BP.**	YANA BLANK PLATE 2GANG 7X14	20	200	1100
22	YK451CO.**	YANA CABLE OUTLET 45A 1GANG 7X7	10	100	1200
23	YT1020C.**	YANA CURTAIN SWITCH 10A 2GANG 7X7 FULL BODY	10	100	350
24	YT10103.**	YANA INTERMEDIATE SWITCH 10A 1GANG 2WAY 7X7 FULL BODY	10	100	350
25	YK131US.**	YANA SOCKET OUTLET 13A 1GANG UNIVERSAL DP SWITCHED WITH NEON 7X7	10	100	1200

** Glossy White

** Matt Black



PRODUCES QUALITY
تنتج الجودة

يانا **YANA**



الفخامة تتحدث
luxury Speaks

YANA
Series Features



DOWNLOAD
E-CATALOGUE



علامة الجودة
SASO
QUALITY MARK



www.bahra-electric.com